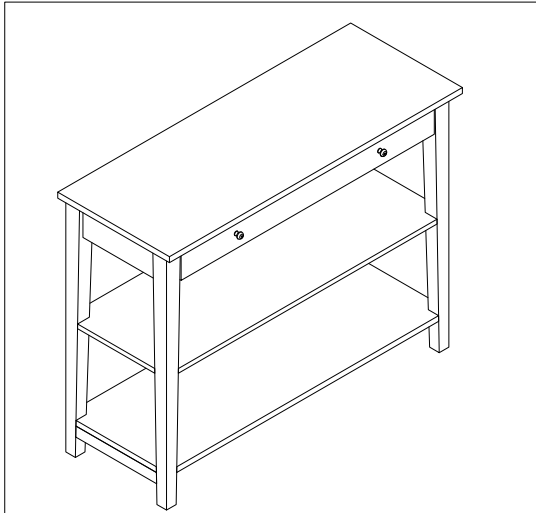




# ASSEMBLY INSTRUCTION #2131



Philip Headscrew driver  
(not included)

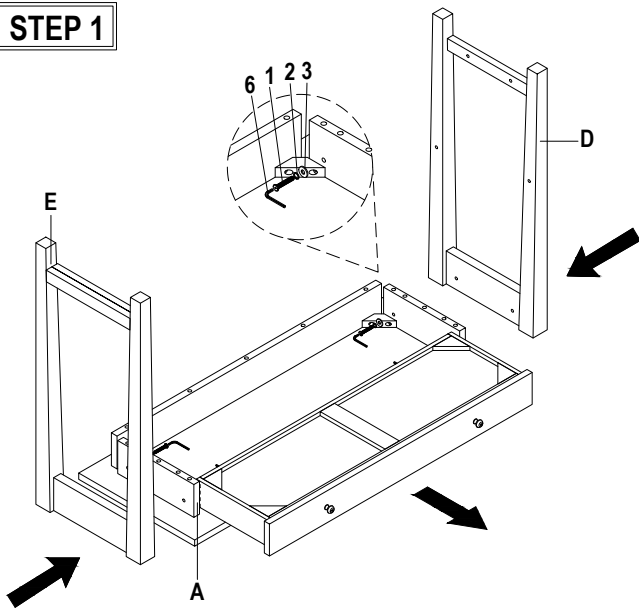
## HARDWARE LIST

NO	SKETCH	HARDWARE	QTY
1		JCBC M8 x 40mm	8 Pcs
2		Spring Washer	8 Pcs
3		Flat Washer	8 Pcs
4		Spin Shelf	4 Pcs
5		Screw Ø6 x 5/8"	4 Pcs
6		Allen Key	1 Pcs

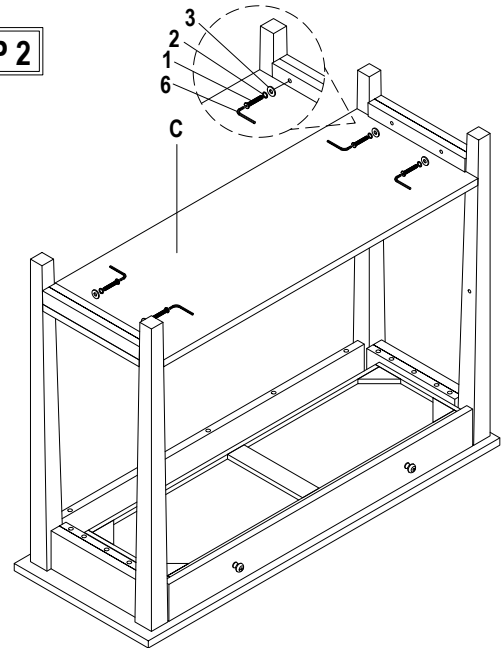
## PART LIST

NO	DESCRIPTION	SKETCH	QTY
A	Top		1 Pc
B	Middle Shelf		1 Pc
C	Bottom Shelf		1 Pc
D	Legs Right		1 Pc
E	Legs Left		1 Pc

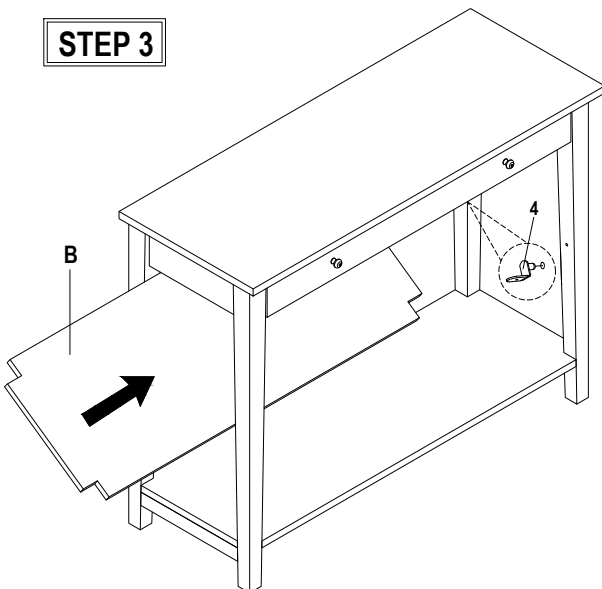
### STEP 1



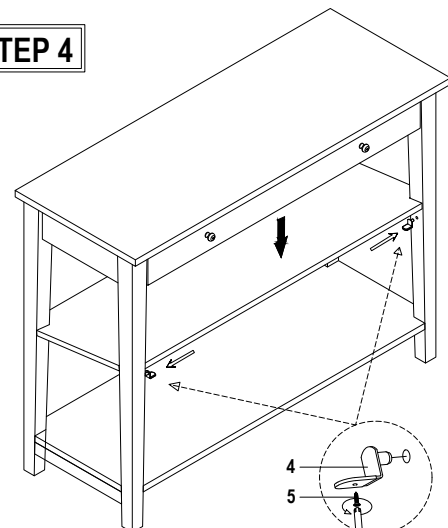
### STEP 2



### STEP 3



### STEP 4



**STEP 4 SCREW ALL ATTACH**